

GB11 Lowline Minimal Project T-Handles

Features

- Sitting almost directly onto the panel surface, this design has absolutely minimum projection, avoiding risk of injury from the 'arms' of the T-handle
- With hidden mounting holes (or internal studs) it is ideal for roller shutters, vehicle side compartments and special cabinets
- 180° rotation as standard, rotation can be limited to 90°, LH/RH, or 360° free movement
- Handles only locks in horizontal position

Material

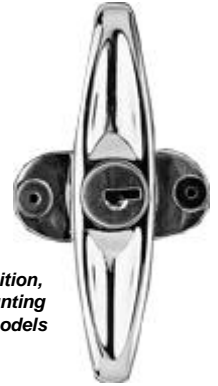
- Steel, chromium plated or black powder coated

Notes

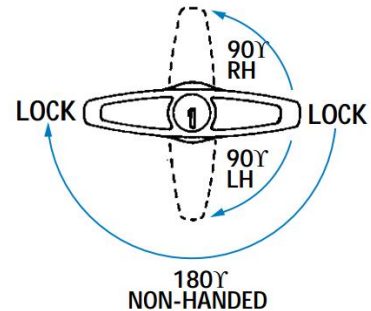
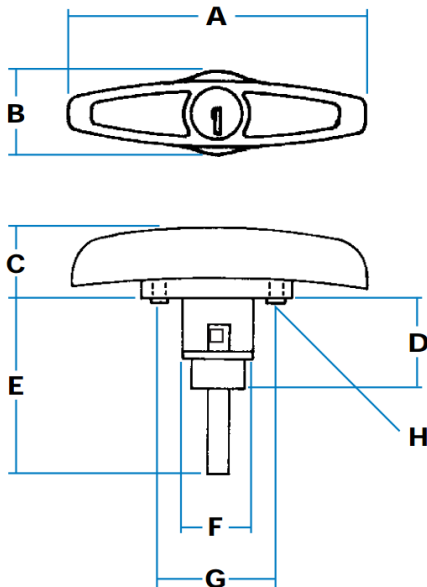
- Fix through countersunk holes (hidden when handle is locked), or with studs fitted to concealed-fixing models
- 'FS' keys as standard with 'shuttered' keyway. Optionally 'FT' or 'DLP' key types also available
- **Contact Gripwell sales for cam pawl and centre-case options**



GB11-G25515
(Lowline T in locked position)



Handle in 'open' position, (right), showing mounting holes on 'open fix' models



Handles operate through 180° as standard (non-handed). Rotation can be limited to 90° LH (clockwise) or 90° RH (anticlockwise). Handles will lock in horizontal position only.

Part No.	Type	Finish	Key	A	B	C	D	E	F	G	H
GB11-25515	40 mm Open Fixing	Chrome	Standard	97	28	23	25	76	23	40	5 mm, c/s 9 mm
GB11-25515-01			FS880								
GB11-25515B		Black	Standard								
GB11-25515B-01			FS880								
GB11-25517	40 mm Concealed Fixing	Chrome	Standard								
GB11-25517-01			FS880								
GB11-25517B		Black	Standard								
GB11-25517B-01			FS880								

Concealed-fixing models have two threaded studs fitted into escutcheon, 10 mm deep x 10-32 UNF (top face is plain)